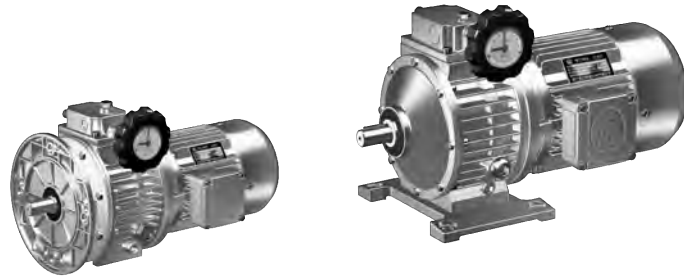
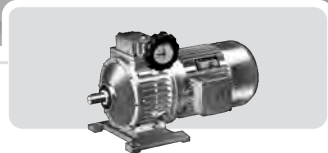
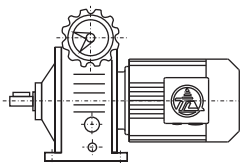


MB(Q) 无级变速器及其与齿轮减速机组合

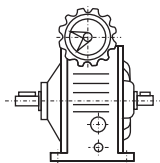
MB(Q) Infinite speed variator and combinations with gear units



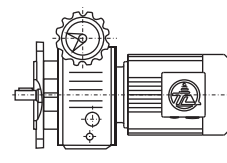
MB(Q)及其与齿轮组合无级变速器有以下设计方案：
MB(Q) series and combinatorial series with gear units are available in the following designs:



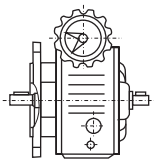
MB(Q) W-Y
卧式无级变速器
Horizontal infinite speed variator



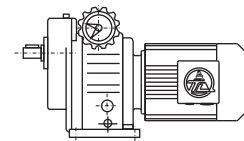
MBWS
轴输入的，卧式无级变速器
Shaft input, horizontal infinite speed variator



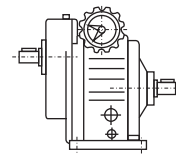
MB(Q) L(F)-Y
法兰式无级变速器
Flange-mounted infinite speed variator



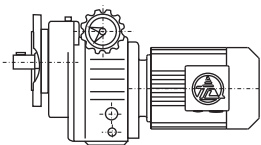
MBL(F)S
轴输入的，法兰式无级变速器
Shaft input, flange-mounted infinite speed variator



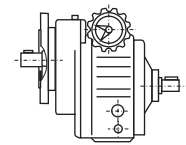
MB(Q) W-Y-C
带一级齿轮卧式无级变速器
Horizontal infinite speed variator combine with 1-stage gear



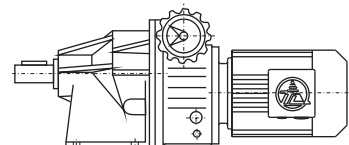
MBWS-C
轴输入的，带一级齿轮卧式无级变速器
Shaft input, horizontal infinite speed variator combine with 1-stage gear



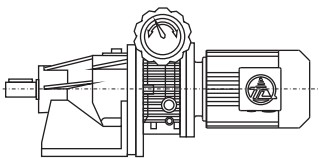
MB(Q) L(F)-Y-C
带一级齿轮法兰式无级变速器
Flange-mounted infinite speed variator combine with 1-stage gear



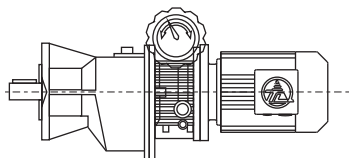
MB(Q) L(F) S-C
轴输入，带一级齿轮法兰式无级变速器
Shaft input, flange-mounted infinite speed variator combine with 1-stage gear



MB(Q) W-Y-CT
陶瓷机械专用，带一级齿轮卧式无级变速器
Horizontal infinite speed variator combine with 1-stage gear, specially used for ceramic machinery



MB(Q) W-Y-2C
带二级齿轮卧式无级变速器
Horizontal infinite speed variator combine with 2-stage gear



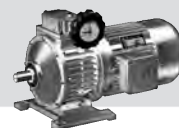
MB(Q) L-Y-2C
带二级齿轮法兰式无级变速器
Flange-mounted infinite speed variator combine with 2-stage gear

注：Q-为特轻型铝合金壳体
F-为变速器水平安装
L-为变速器垂直安装

Note: Q-Special light aluminium alloy housing
F-Horizontal
L-Vertical

型号与标记 / Type Designations

<p>1.基本型表示方式:</p> <p style="text-align: center;">MB Q 07-Y 0.75-4P</p> <p>减速机类型 — MB 结构形式 — Q 安装形式 — 07 规格 — Y 电机代号 — 0.75 电机功率、极数 — 4P</p>	<p>1.Designations of basic type:</p> <p style="text-align: center;">MB Q 07-Y 0.75-4P</p> <p>Gear units type — MB Structure — Q Mounting position — 07 Size — Y Motor code — 0.75 Motor power、pole — 4P</p>
<p>2.基本型与齿轮减速机组合表示方式:</p> <p style="text-align: center;">MB Q 07-Y 0.75-4P-2C-16</p> <p>减速机类型 — MB 结构形式 — Q 安装形式 — 07 规格 — Y 电机代号 — 0.75 电机功率、极数 — 4P 齿轮减速机代号 — 2C 齿轮减速机传动比 — 16</p>	<p>2.Designations of basic type combine with gear units:</p> <p style="text-align: center;">MB Q 07-Y 0.75-4P-2C-16</p> <p>Gear units type — MB Structure — Q Mounting position — 07 Size — Y Motor code — 0.75 Motor power、pole — 4P Gear units code: — 2C Gear units ratio — 16</p>
<p>减速机类型: 无级变速机</p>	<p>Gear units type: Infinite speed variator</p>
<p>结构形式: 铸铁外壳(省略) 铸铝外壳 Q</p>	<p>Structure: cast iron housing (-) cast aluminium housing Q</p>
<p>安装形式: 卧式安装 W 法兰垂直安装 L 法兰水平安装 F 卧式安装,轴输入 WS 法兰垂直安装,轴输入 LS 法兰水平安装,轴输入 FS 特殊位置安装用文字注明</p>	<p>Mounting position: Horizontal W Flange-mounted vertically L Flange-mounted horizontally F Horizontal, shaft input WS Flange-mounted vertically, shaft input LS Flange-mounted horizontally, shaft input FS Note in word in the special mounting position</p>
<p>规格: (见选型参数表)</p>	<p>Size: (see selection table)</p>
<p>电机代号: 普通(更新) Y(Y2) 防爆 B 直流 Z 制动 E 多速 D 变频 V 分马力 F 增安 A 电磁调速 C 冶金起重 R 变频制动 VE 辊道 G</p>	<p>Motor code: Ordinary(renew) Y(Y2) Flame-proof B Direct current Z Brake E Multi-speed D Variable frequency V Power-divided F Ampere-increased A Electromagnetism speed modulation C Hoisting in metallurgy R Variable frequency and brake VE Roller tables G</p>
<p>电机功率、极数: (见选型参数表)</p>	<p>Motor power、pole : (see selection table)</p>
<p>齿轮减速机代号: 一级减速: C 二级减速: 2C 陶瓷专用: CT</p>	<p>Gear units code: 1-stage:C 2-stage:2C specially used for ceramics:CT</p>
<p>齿轮减速机传动比 (见选型参数表)</p>	<p>Gear units ratio (see selection table)</p>



MB (Q) 无级变速器输入功率(电机极数4P)及许用转矩:

Input power rating and permissible torque for MB(Q) infinite speed variator

规格 Size	02	04	07	15	22	40	55	75
结构形式 Structure	W L F							
输出转速 Output speed	200~1000r/min							
输入功率 (kW) Input power rating	0.18	0.37	0.55~0.75	1.1~1.5	2.2	3~4	5.5	7.5
许用转矩 (Nm) Permissible torque	3	6	12	24	36	64	90	118

注: (Q) 表示铝合金壳体

Note: (Q) indicates the aluminium alloy housing

MB (Q) 无级变速器与齿轮减速机组合输入功率及许用转矩:

Input power rating and permissible torque for MB(Q) infinite speed variator and combinations with gear units

规格 Size	02	04	07	15	22	40	55	75	
结构形式 Structure	W L F								
输入功率 (kW) Input power rating	0.18	0.37	0.55~0.75	1.1~1.5	2.2	3~4	5.5	7.5	
传动比 Ratio	C	2.5 3.3 5							
	2C	7.5 10 13 16 20							
许用转矩 Permissible torque (Nm)	C	15	30	60	118	176	314	441	558
	2C	—	106	168	334	840	1150	1600	2088

MB系列变速器重量

MB series speed variator weight

规格 Size	MB02	MB04	MB07	MB15	MB22	MB40	MB55	MB75
重量 Weight	10	13	17	33	60	65	105	110

所注重量为平均值, 仅供参考

The weights are mean values, only for reference.

输出转速 Output speed r/min	输出扭矩 Output torque Nm	传动比 Ratio i	机型号 Type Type
-------------------------------	-----------------------------	-------------------	---------------------

0.18kW

200-1000		io=7.25 - 1.45	MBW02
200-1000	3-1.5	io	MBW02-Y0.18
80-400	7.4-3.5	2.5io	MBW02-Y0.18-C2.5
60-300	10-4.7	3.3io	MBW02-Y0.18-C3.3
40-200	15-7	5io	MBW02-Y0.18-C5

0.37kW

200-1000		io=7.25 - 1.45	MBW04
200-1000	6-3	io	MBW04-Y0.37
80-400	15-7.3	2.5io	MBW04-Y0.37-C2.5
80-400	15-7.3	2.5io	MBW04-Y0.37-CT2.5
60-300	20-9.5	3.3io	MBW04-Y0.37-C3.3
60-300	20-9.5	3.3io	MBW04-Y0.37-CT3.3
40-200	30-15	5io	MBW04-Y0.37-C5
40-200	30-15	5io	MBW04-Y0.37-CT5
25-125	40-20	7.5io	MBW04-Y0.37-2C7.5
18-90	56-28	10io	MBW04-Y0.37-2C10
15-75	68-34	13io	MBW04-Y0.37-2C13
12-60	84-42	16io	MBW04-Y0.37-2C16
10-50	106-53	20io	MBW04-Y0.37-2C20

0.55kW

200-1000		io=7.25 - 1.45	MBW07
200-1000	10-5	io	MBW07-Y0.55
80-400	20-9.8	2.5io	MBW07-Y0.55-C2.5
80-400	20-9.8	2.5io	MBW07-Y0.55-CT2.5
60-300	32-15.5	3.3io	MBW07-Y0.55-C3.3
60-300	32-15.5	3.3io	MBW07-Y0.55-CT3.3
40-200	30-15	5io	MBW07-Y0.55-C5
40-200	30-15	5io	MBW07-Y0.55-CT5
25-125	68-34	7.5io	MBW07-Y0.55-2C7.5
18-90	90-45	10io	MBW07-Y0.55-2C10
15-75	122-56	13io	MBW07-Y0.55-2C13
12-60	140-70	16io	MBW07-Y0.55-2C16

0.75kW

200-1000	12-6	io=7.25 - 1.45	MBW07-Y0.75
80-400	29-15	2.5io	MBW07-Y0.75-C2.5
80-400	29-15	2.5io	MBW07-Y0.75-CT2.5
60-300	38-19	3.3io	MBW07-Y0.75-C3.3
60-300	38-19	3.3io	MBW07-Y0.75-CT3.3
40-200	60-30	5io	MBW07-Y0.75-C5
40-200	60-30	5io	MBW07-Y0.75-CT5
25-125	80-40	7.5io	MBW07-Y0.75-2C7.5
18-90	108-54	10io	MBW07-Y0.75-2C10
15-75	136-68	13io	MBW07-Y0.75-2C13
12-60	168-84	16io	MBW07-Y0.75-2C16

外形及安装尺寸分别参见 MB 14 | 17 页

For overview and mounting dimensions, see pages MB 14 | 17

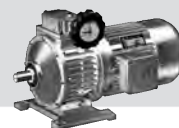
变速机为铸铁外壳，4 极电机，卧式(底座)安装

cast iron housing for variator, 4-pole motor, horizontal (with feet)

变速机与齿轮减速机组合

Combinations of speed variator and gear units

选型参数表 Selection Table



	输出转速 Output speed r/min	输出扭矩 Output torque Nm	传动比 Ratio i	机型号 Type Type		
<p>变速机与齿轮减速机组合</p> <p>变速机为铸铁外壳，4极电机，卧式(底座安装)</p> <p>Combinations of speed variator and gear units</p> <p>cast iron housing for variator, 4-pole motor, horizontal(with feet)</p>	1.1kW				<p>外形及安装尺寸分别参见 MB 14 17 页</p> <p>MB 14 17 页</p>	
	200-1000		io=7.25 - 1.45	MBW15		
	200-1000	18-9	io	MBW15-Y1.1		
	80-400	39-20	2.5io	MBW15-Y1.1-C2.5		
	60-300	58-28	3.3io	MBW15-Y1.1-C3.3		
	40-200	88-43	5io	MBW15-Y1.1-C5		
	25-125	120-60	7.5io	MBW15-Y1.1-2C7.5		
	18-90	160-80	10io	MBW15-Y1.1-2C10		
	15-75	200-100	13io	MBW15-Y1.1-2C13		
	12-60	250-125	16io	MBW15-Y1.1-2C16		
	1.5kW					<p>MBW15-Y1.5</p> <p>MBW15-Y1.5-C2.5</p> <p>MBW15-Y1.5-C3.3</p> <p>MBW15-Y1.5-C5</p> <p>MBW15-Y1.5-2C7.5</p> <p>MBW15-Y1.5-2C10</p> <p>MBW15-Y1.5-2C13</p> <p>MBW15-Y1.5-2C16</p>
	200-1000	24-12	io=7.25 - 1.45			
	80-400	59-29	2.5io			
	60-300	78-36	3.3io			
	40-200	118-59	5io			
	25-125	160-80	7.5io			
	18-90	218-108	10io			
	15-75	270-135	13io			
	12-60	334-167	16io			
	2.2kW					
	200-1000		io=7.25 - 1.45			
	200-1000	36-18	io			
	80-400	88-44	2.5io			
	60-300	118-56	3.3io			
	40-200	176-88	5io			
	25-125	243-122	7.5io			
	18-90	324-162	10io			
	15-75	406-203	13io			
	12-60	502-251	16io			
	10-50	840-420	20io			
	3.0kW					<p>MBW40</p> <p>MBW40-Y3.0</p> <p>MBW40-Y3.0-C2.5</p> <p>MBW40-Y3.0-C3.3</p> <p>MBW40-Y3.0-C5</p> <p>MBW40-Y3.0-2C7.5</p> <p>MBW40-Y3.0-2C10</p> <p>MBW40-Y3.0-2C13</p> <p>MBW40-Y3.0-2C16</p> <p>MBW40-Y3.0-2C20</p>
	200-1000		io=7.25 - 1.45			
200-1000	48-24	io				
80-400	118-59	2.5io				
60-300	158-75	3.3io				
40-200	235-118	5io				
25-125	324-162	7.5io				
18-90	432-216	10io				
15-75	540-270	13io				
12-60	670-335	16io				
10-50	1150-558	20io				

	输出转速 Output speed r/min	输出扭矩 Output torque Nm	传动比 Ratio i	机型号 Type Type
外形及安装尺寸分别参见 MB 14 17 页 For overview and mounting dimensions, see pages MB 14 17	4.0kW			
	200-1000	64-32	io=7.25 - 1.45	MBW40-Y4.0
	80-400	157-78	2.5io	MBW40-Y4.0-C2.5
	60-300	212-100	3.3io	MBW40-Y4.0-C3.3
	40-200	314-157	5io	MBW40-Y4.0-C5
	25-125	432-216	7.5io	MBW40-Y4.0-2C7.5
	18-90	576-288	10io	MBW40-Y4.0-2C10
	15-75	720-360	13io	MBW40-Y4.0-2C13
	12-60	892-446	16io	MBW40-Y4.0-2C16
	10-50	1150-558	20io	MBW40-Y4.0-2C20
	5.5kW			
	200-1000	90-45	io=7.25 - 1.45	MBW55
	200-1000	216-108	io	MBW55-Y5.5
	80-400	298-140	2.5io	MBW55-Y5.5-C2.5
	60-300	441-216	3.3io	MBW55-Y5.5-C3.3
	40-200	608-304	5io	MBW55-Y5.5-C5
	25-125	810-405	7.5io	MBW55-Y5.5-2C7.5
	18-90	1012-506	10io	MBW55-Y5.5-2C10
	15-75	1256-628	13io	MBW55-Y5.5-2C13
	12-60	1600-800	16io	MBW55-Y5.5-2C16
	10-50		20io	MBW55-Y5.5-2C20
	7.5kW			
	200-1000	118-59	io=7.25 - 1.45	MBW75
	200-1000	294-147	io	MBW75-Y7.5
	80-400	398-198	2.5io	MBW75-Y7.5-C2.5
	60-300	558-294	3.3io	MBW75-Y7.5-C3.3
	40-200	795-398	5io	MBW75-Y7.5-C5
	25-125	1060-530	7.5io	MBW75-Y7.5-2C7.5
	18-90	1325-662	10io	MBW75-Y7.5-2C10
	15-75	1643-822	13io	MBW75-Y7.5-2C13
12-60	2088-1042	16io	MBW75-Y7.5-2C16	
10-50		20io	MBW75-Y7.5-2C20	

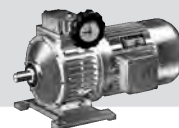
变速机为铸铁外壳，4极电机，卧式(底座)安装

变速机与齿轮减速机组合

cast iron housing for variator, 4-pole motor, horizontal (with feet)

Combinations of speed variator and gear units

选型参数表 Selection Table



	输出转速 Output speed r/min	输出扭矩 Output torque Nm	传动比 Ratio i	机型号 Type Type	
0.18kW 200-1000 200-1000 80-400 60-300 40-200			io=7.25 - 1.45	MB ■ 02	
		3-1.5	io	MB ■ 02-Y0.18	
		7.4-3.5	2.5io	MB ■ 02-Y0.18-C2.5	
		10-4.7	3.3io	MB ■ 02-Y0.18-C3.3	
	40-200	15-7	5io	MB ■ 02-Y0.18-C5	
0.37kW 200-1000 200-1000 80-400 60-300 40-200 25-125 18-90 15-75 12-60 10-50			io=7.25 - 1.45	MB ■ 04	
		6-3	io	MB ■ 04-Y0.37	
		15-7.3	2.5io	MB ■ 04-Y0.37-C2.5	
		20-9.5	3.3io	MB ■ 04-Y0.37-C3.3	
		30-15	5io	MB ■ 04-Y0.37-C5	
		40-20	7.5io	MB ■ 04-Y0.37-2C7.5	
		56-28	10io	MB ■ 04-Y0.37-2C10	
		68-34	13io	MB ■ 04-Y0.37-2C13	
		84-42	16io	MB ■ 04-Y0.37-2C16	
		106-53	20io	MB ■ 04-Y0.37-2C20	
	0.55kW 200-1000 200-1000 80-400 60-300 40-200 25-125 18-90 15-75 12-60			io=7.25 - 1.45	MB ■ 07
			10-5	io	MB ■ 07-Y0.55
		20-9.8	2.5io	MB ■ 07-Y0.55-C2.5	
		32-15.5	3.3io	MB ■ 07-Y0.55-C3.3	
		30-15	5io	MB ■ 07-Y0.55-C5	
		68-34	7.5io	MB ■ 07-Y0.55-2C7.5	
		90-45	10io	MB ■ 07-Y0.55-2C10	
		122-56	13io	MB ■ 07-Y0.55-2C13	
		140-70	16io	MB ■ 07-Y0.55-2C16	
0.75kW 200-1000 80-400 60-300 40-200 25-125 18-90 15-75 12-60			io=7.25 - 1.45	MB ■ 07-Y0.75	
		12-6	io	MB ■ 07-Y0.75-C2.5	
		29-15	2.5io	MB ■ 07-Y0.75-C3.3	
		38-19	3.3io	MB ■ 07-Y0.75-C5	
		60-30	5io	MB ■ 07-Y0.75-C5	
		80-40	7.5io	MB ■ 07-Y0.75-2C7.5	
		108-54	10io	MB ■ 07-Y0.75-2C10	
		136-68	13io	MB ■ 07-Y0.75-2C13	
		168-84	16io	MB ■ 07-Y0.75-2C16	

变速机与齿轮减速机组合

Combinations of speed variator and gear units

变速机为铸铁外壳，4极电机，法兰(L)垂直，F水平(安装)

cast iron housing for variator, 4-pole motor, flange-mounted (L-vertical, F-horizontal)

■ 有 L、F 两种法兰安装形式，L 为垂直安装，F 为水平安装

外形及安装尺寸分别参见 MB 14 | 17 页

MB 14 | 17 For overview and mounting dimensions, see pages

Tow flange-mounted positions: L-vertical, F-horizontal

输出转速 Output speed r/min	输出扭矩 Output torque Nm	传动比 Ratio i	机型号 Type Type
-------------------------------	-----------------------------	-------------------	---------------------

1.1kW

200-1000	18-9	io=7.25 - 1.45	MB ■ 15-Y1.1
80-400	39-20	2.5io	MB ■ 15-Y1.1-C2.5
60-300	56-28	3.3io	MB ■ 15-Y1.1-C3.3
40-200	88-43	5io	MB ■ 15-Y1.1-C5
25-125	120-60	7.5io	MB ■ 15-Y1.1-2C7.5
18-90	160-80	10io	MB ■ 15-Y1.1-2C10
15-75	200-100	13io	MB ■ 15-Y1.1-2C13
12-60	250-125	16io	MB ■ 15-Y1.1-2C16

1.5kW

200-1000	24-12	io=7.25 - 1.45	MB ■ 15-Y1.5
80-400	59-29	2.5io	MB ■ 15-Y1.5-C2.5
60-300	78-36	3.3io	MB ■ 15-Y1.5-C3.3
40-200	118-59	5io	MB ■ 15-Y1.5-C5
25-125	160-80	7.5io	MB ■ 15-Y1.5-2C7.5
18-90	218-108	10io	MB ■ 15-Y1.5-2C10
15-75	270-135	13io	MB ■ 15-Y1.5-2C13
12-60	334-167	16io	MB ■ 15-Y1.5-2C16

2.2kW

200-1000		io=7.25 - 1.45	MB ■ 22
200-1000	36-18	io	MB ■ 22-Y2.2
80-400	88-44	2.5io	MB ■ 22-Y2.2-C2.5
60-300	118-56	3.3io	MB ■ 22-Y2.2-C3.3
40-200	176-88	5io	MB ■ 22-Y2.2-C5
25-125	243-122	7.5io	MB ■ 22-Y2.2-2C7.5
18-90	324-162	10io	MB ■ 22-Y2.2-2C10
15-75	406-203	13io	MB ■ 22-Y2.2-2C13
12-60	502-251	16io	MB ■ 22-Y2.2-2C16
10-50	840-420	20io	MB ■ 22-Y2.2-2C20

3.0kW

200-1000		io=7.25 - 1.45	MB ■ 40
200-1000	48-24	io	MB ■ 40-Y3.0
80-400	118-59	2.5io	MB ■ 40-Y3.0-C2.5
60-300	158-75	3.3io	MB ■ 40-Y3.0-C3.3
40-200	235-118	5io	MB ■ 40-Y3.0-C5
25-125	324-162	7.5io	MB ■ 40-Y3.0-2C7.5
18-90	432-216	10io	MB ■ 40-Y3.0-2C10
15-75	540-270	13io	MB ■ 40-Y3.0-2C13
12-60	670-335	16io	MB ■ 40-Y3.0-2C16
10-50	1150-558	20io	MB ■ 40-Y3.0-2C20

■ 有 L、F 两种法兰安装形式，L 为垂直安装，F 为水平安装
外形及安装尺寸分别参见 MB 14 | 17 页

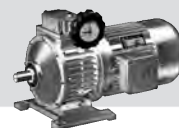
For overview and mounting dimensions, see pages MB 14 | 17
Tow flange-mounted positions: L-vertical, F-horizontal

变频器为铸铁外壳，4 极电机，法兰(L 垂直，F 水平)安装

Combinations of speed variator and gear units

cast iron housing for variator, 4-pole motor, flange-mounted(L-vertical, F-horizontal)

选型参数表 Selection Table



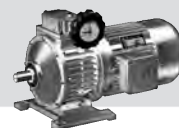
	输出转速 Output speed r/min	输出扭矩 Output torque Nm	传动比 Ratio i	机型号 Type Type	
变速机与齿轮减速机组合 Combinations of speed variator and gear units 变速机为铸铁外壳，4极电机，法兰(L垂直，F水平)安装 cast iron housing for variator, 4-pole motor, flange-mounted (L-vertical, F-horizontal)	4.0kW				■ 有L、F两种法兰安装形式，L为垂直安装，F为水平安装 外形及安装尺寸分别参见 MB 14 17 页
	200-1000	64-32	io=7.25 - 1.45	MB ■ 40-Y4.0	
	80-400	157-78	2.5io	MB ■ 40-Y4.0-C2.5	
	60-300	212-100	3.3io	MB ■ 40-Y4.0-C3.3	
	40-200	314-157	5io	MB ■ 40-Y4.0-C5	
	25-125	432-216	7.5io	MB ■ 40-Y4.0-2C7.5	
	18-90	576-288	10io	MB ■ 40-Y4.0-2C10	
	15-75	720-360	13io	MB ■ 40-Y4.0-2C13	
	12-60	892-446	16io	MB ■ 40-Y4.0-2C16	
	10-50	1150-558	20io	MB ■ 40-Y4.0-2C20	
	5.5kW				MB 14 17 For overview and mounting dimensions, see pages Tow flange-mounted positions: L-vertical, F-horizontal
	200-1000	90-45	io=7.25 - 1.45	MB ■ 55	
	200-1000	216-108	io	MB ■ 55-Y5.5	
	80-400	298-140	2.5io	MB ■ 55-Y5.5-C2.5	
	60-300	441-216	3.3io	MB ■ 55-Y5.5-C3.3	
	40-200	608-304	5io	MB ■ 55-Y5.5-C5	
	25-125	810-405	7.5io	MB ■ 55-Y5.5-2C7.5	
	18-90	1012-506	10io	MB ■ 55-Y5.5-2C10	
	15-75	1256-628	13io	MB ■ 55-Y5.5-2C13	
	12-60	1600-800	16io	MB ■ 55-Y5.5-2C16	
	10-50		20io	MB ■ 55-Y5.5-2C20	
	7.5kW				
	200-1000	118-59	io=7.25 - 1.45	MB ■ 75	
	200-1000	294-147	io	MB ■ 75-Y7.5	
	80-400	398-198	2.5io	MB ■ 75-Y7.5-C2.5	
	60-300	558-294	3.3io	MB ■ 75-Y7.5-C3.3	
	40-200	795-398	5io	MB ■ 75-Y7.5-C5	
	25-125	1060-530	7.5io	MB ■ 75-Y7.5-2C7.5	
	18-90	1325-662	10io	MB ■ 75-Y7.5-2C10	
	15-75	1643-822	13io	MB ■ 75-Y7.5-2C13	
	12-60	2088-1042	16io	MB ■ 75-Y7.5-2C16	
	10-50		20io	MB ■ 75-Y7.5-2C20	

	输出转速 Output speed r/min	输出扭矩 Output torque Nm	传动比 Ratio i	机型号 Type Type	
0.18kW 170-1000 68-400 52-300 34-200	170-1000	2.8-1.4	io=8.5 - 1.45	MBQW02	变速机为铸铝外壳，4极电机、卧式(底座)安装 变速机与齿轮减速机组合 Combinations of speed variator and gear units cast aluminium housing for variator, 4-pole motor, horizontal(with feet)
	68-400	6.8-3.4	2.5io	MBQW02-Y0.18-C2.5	
	52-300	8.9-4.4	3.3io	MBQW02-Y0.18-C3.3	
	34-200	13.4-6.7	5io	MBQW02-Y0.18-C5	
0.25kW 170-1000 68-400 68-400 52-300 52-300 34-200 34-200 23-125 17-90 13-75 10-60 8-50	170-1000	3.8-1.9	io=8.5 - 1.45	MBQW04-Y0.25	
	68-400	9.1-4.6	2.5io	MBQW04-Y0.25-C2.5	
	68-400	9.1-4.6	2.5io	MBQW04-Y0.25-CT2.5	
	52-300	12-6	3.3io	MBQW04-Y0.25-C3.3	
	52-300	12-6	3.3io	MBQW04-Y0.25-CT3.3	
	34-200	18.2-9.1	5io	MBQW04-Y0.25-C5	
	34-200	18.2-9.1	5io	MBQW04-Y0.25-CT5	
	23-125	25-12	7.5io	MBQW04-Y0.25-2C7.5	
	17-90	33-17	10io	MBQW04-Y0.25-2C10	
	13-75	43-22	13io	MBQW04-Y0.25-2C13	
	10-60	54-27	16io	MBQW04-Y0.25-2C16	
	8-50	67-34	20io	MBQW04-Y0.25-2C20	
	0.37kW 170-1000 68-400 68-400 52-300 52-300 34-200 34-200 23-125 17-90 13-75 10-60 8-50	170-1000	6-3	io=8.5 - 1.45	MBQW04-Y0.37
		68-400	15-7.3	2.5io	MBQW04-Y0.37-C2.5
68-400		15-7.3	2.5io	MBQW04-Y0.37-CT2.5	
52-300		20-9.5	3.3io	MBQW04-Y0.37-C3.3	
52-300		20-9.5	3.3io	MBQW04-Y0.37-CT3.3	
34-200		30-15	5io	MBQW04-Y0.37-C5	
34-200		30-15	5io	MBQW04-Y0.37-CT5	
23-125		40-20	7.5io	MBQW04-Y0.37-2C7.5	
17-90		56-28	10io	MBQW04-Y0.37-2C10	
13-75		68-34	13io	MBQW04-Y0.37-2C13	
10-60		84-42	16io	MBQW04-Y0.37-2C16	
8-50		106-53	20io	MBQW04-Y0.37-2C20	
0.55kW 170-1000 68-400 68-400 52-300 52-300 34-200 34-200 23-125 17-90 13-75 10-60		170-1000	12-16	io=8.5 - 1.45	MBQW07-Y0.55
		68-400	29-15	2.5io	MBQW07-Y0.55-C2.5
	68-400	29-15	2.5io	MBQW07-Y0.55-CT2.5	
	52-300	38-19	3.3io	MBQW07-Y0.55-C3.3	
	52-300	38-19	3.3io	MBQW07-Y0.55-CT3.3	
	34-200	60-30	5io	MBQW07-Y0.55-C5	
	34-200	60-30	5io	MBQW07-Y0.55-CT5	
	23-125	80-40	7.5io	MBQW07-Y0.55-2C7.5	
	17-90	108-54	10io	MBQW07-Y0.55-2C10	
	13-75	136-68	13io	MBQW07-Y0.55-2C13	
	10-60	168-84	16io	MBQW07-Y0.55-2C16	

外形及安装尺寸分别参见 MB 18 | 21 页

For overview and mounting dimensions, see pages MB 18 | 21

选型参数表 Selection Table



	输出转速 Output speed r/min	输出扭矩 Output torque Nm	传动比 Ratio i	机型号 Type Type	
变速器与齿轮减速机组合 变速器为铸铝外壳，4极电机，卧式底座安装 Combinations of speed variator and gear units cast aluminium housing for variator, 4-pole motor, horizontal (with feet)	0.75kW				外形及安装尺寸分别参见 MB 18 21 页 For overview and mounting dimensions, see pages MB 18 21
	170-1000	12-6	io=8.5 - 1.45	MBQW07-Y0.75	
	68-400	29-15	2.5io	MBQW07-Y0.75-C2.5	
	68-400	29-15	2.5io	MBQW07-Y0.75-CT2.5	
	52-300	38-19	3.3io	MBQW07-Y0.75-C3.3	
	52-300	38-19	3.3io	MBQW07-Y0.75-CT3.3	
	34-200	60-30	5io	MBQW07-Y0.75-C5	
	34-200	60-30	5io	MBQW07-Y0.75-CT5	
	23-125	80-40	7.5io	MBQW07-Y0.75-2C7.5	
	17-90	108-54	10io	MBQW07-Y0.75-2C10	
	13-75	136-68	13io	MBQW07-Y0.75-2C13	
	10-60	168-84	16io	MBQW07-Y0.75-2C16	
	1.1kW				
	170-1000	18-9	io=8.5 - 1.45	MBQW15-Y1.1	
	68-400	39-20	2.5io	MBQW15-Y1.1-C2.5	
	68-400	39-20	2.5io	MBQW15-Y1.1-CT2.5	
	52-300	56-28	3.3io	MBQW15-Y1.1-C3.3	
	52-300	56-28	3.3io	MBQW15-Y1.1-CT3.3	
	34-200	88-43	5io	MBQW15-Y1.1-C5	
	34-200	88-43	5io	MBQW15-Y1.1-CT5	
	23-125	120-60	7.5io	MBQW15-Y1.1-2C7.5	
	17-75	160-80	10io	MBQW15-Y1.1-2C10	
	13-75	200-100	13io	MBQW15-Y1.1-2C13	
	10-60	250-125	16io	MBQW15-Y1.1-2C16	
	1.5kW				
	170-1000	24-12	io=8.5 - 1.45	MBQW15-Y1.5	
	68-400	59-29	2.5io	MBQW15-Y1.5-C2.5	
	68-400	59-29	2.5io	MBQW15-Y1.5-CT2.5	
	52-300	78-36	3.3io	MBQW15-Y1.5-C3.3	
	52-300	78-36	3.3io	MBQW15-Y1.5-CT3.3	
	34-200	118-59	5io	MBQW15-Y1.5-C5	
	34-200	118-59	5io	MBQW15-Y1.5-CT5	
	23-125	160-80	7.5io	MBQW15-Y1.5-2C7.5	
	17-75	218-108	10io	MBQW15-Y1.5-2C10	
	13-75	270-135	13io	MBQW15-Y1.5-2C13	
	10-60	334-167	16io	MBQW15-Y1.5-2C16	

输出转速 Output speed r/min	输出扭矩 Output torque Nm	传动比 Ratio i	机型号 Type Type
-------------------------------	-----------------------------	-------------------	---------------------

0.18kW

170-1000	2.8-1.4	io=8.5-1.45	MBQ ■ 02
68-400	6.8-3.4	2.5io	MBQ ■ 02-Y0.18-C2.5
52-300	8.9-4.4	3.3io	MBQ ■ 02-Y0.18-C3.3
34-200	13.4-6.7	5io	MBQ ■ 02-Y0.18-C5

0.25kW

170-1000	3.8-1.9	io=8.5-1.45	MBQ ■ 04-Y0.25
68-400	9.1-4.6	2.5io	MBQ ■ 04-Y0.25-C2.5
52-300	12-6	3.3io	MBQ ■ 04-Y0.25-C3.3
34-200	18.2-9.1	5io	MBQ ■ 04-Y0.25-C5
23-125	25-12	7.5io	MBQ ■ 04-Y0.25-2C7.5
17-90	33-17	10io	MBQ ■ 04-Y0.25-2C10
13-75	43-22	13io	MBQ ■ 04-Y0.25-2C13
10-60	54-27	16io	MBQ ■ 04-Y0.25-2C16
8-50	67-34	20io	MBQ ■ 04-Y0.25-2C20

0.37kW

170-1000	6.3	io=8.5-1.45	MBQ ■ 04-Y0.37
68-400	15-7.3	2.5io	MBQ ■ 04-Y0.37-C2.5
52-300	20-9.5	3.3io	MBQ ■ 04-Y0.37-C3.3
34-200	30-15	5io	MBQ ■ 04-Y0.37-C5
23-125	40-20	7.5io	MBQ ■ 04-Y0.37-2C7.5
17-90	56-28	10io	MBQ ■ 04-Y0.37-2C10
13-75	68-34	13io	MBQ ■ 04-Y0.37-2C13
10-60	84-42	16io	MBQ ■ 04-Y0.37-2C16
8-50	106-53	20io	MBQ ■ 04-Y0.37-2C20

0.55kW

170-1000	10-5	io=8.5-1.45	MBQ ■ 07-Y0.55
68-400	20-9.8	2.5io	MBQ ■ 07-Y0.55-C2.5
52-300	32-15.5	3.3io	MBQ ■ 07-Y0.55-C3.3
34-200	45-22	5io	MBQ ■ 07-Y0.55-C5
23-125	68-34	7.5io	MBQ ■ 07-Y0.55-2C7.5
17-90	90-45	10io	MBQ ■ 07-Y0.55-2C10
13-75	112-56	13io	MBQ ■ 07-Y0.55-2C13
10-60	140-70	16io	MBQ ■ 07-Y0.55-2C16

■ 有 L、F 两种法兰安装形式，L 为垂直安装，F 为水平安装
外形及安装尺寸分别参见 MB 18 | 21 页

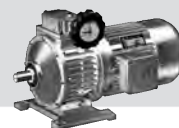
For overview and mounting dimensions, see pages MB 18 | 21
Tow flange-mounted positions: L-vertical, F-horizontal

变速机为铸铝外壳，4 极电机，法兰 L 垂直，F 水平（安装

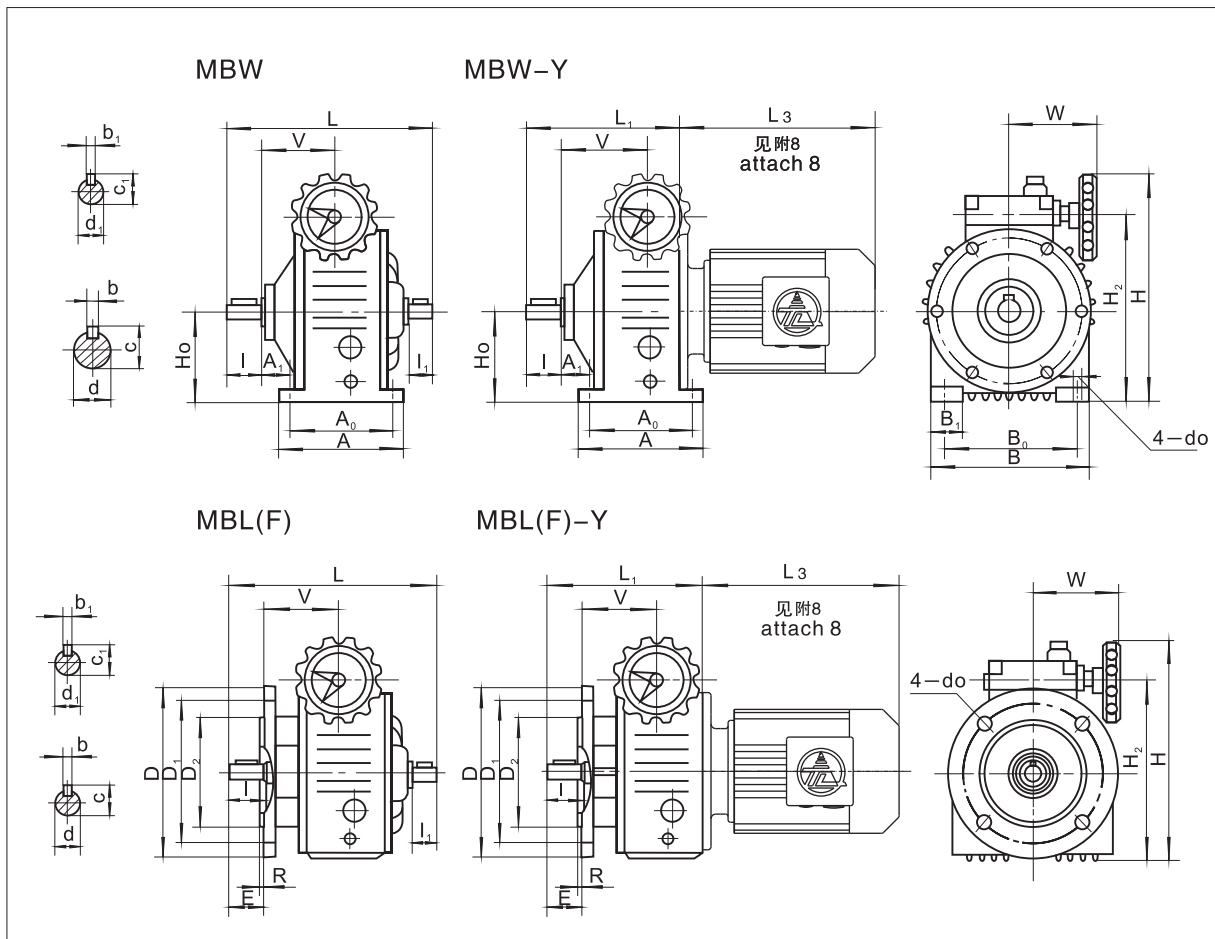
变速机与齿轮减速机组合

Combinations of speed variator and gear units
(L-vertical, F-horizontal)
cast aluminium housing for variator, 4-pole motor, flange-mounted

选型参数表 Selection Table



	输出转速 Output speed r/min	输出扭矩 Output torque Nm	传动比 Ratio i	机型号 Type Type																																	
<p style="writing-mode: vertical-rl; text-orientation: upright;">变速机与齿轮减速机组合</p> <p style="writing-mode: vertical-rl; text-orientation: upright;">变速机为铸铝外壳，4极电机，法兰(L垂直，F水平)安装</p> <p style="writing-mode: vertical-rl; text-orientation: upright;">Combinations of speed variator and gear units cast aluminium housing for variator, 4-pole motor, flange-mounted (L-vertical, F-horizontal)</p>	<h3>0.75kW</h3> <table border="1"> <tr> <td>170-1000</td> <td>12-6</td> <td>io=8.5-1.45</td> <td>MBQ ■ 07-Y0.75</td> </tr> <tr> <td>68-400</td> <td>29-15</td> <td>2.5io</td> <td>MBQ ■ 07-Y0.75-C2.5</td> </tr> <tr> <td>52-300</td> <td>38-19</td> <td>3.3io</td> <td>MBQ ■ 07-Y0.75-C3.3</td> </tr> <tr> <td>34-200</td> <td>60-30</td> <td>5io</td> <td>MBQ ■ 07-Y0.75-C5</td> </tr> <tr> <td>23-125</td> <td>80-40</td> <td>7.5io</td> <td>MBQ ■ 07-Y0.75-2C7.5</td> </tr> <tr> <td>17-90</td> <td>108-54</td> <td>10io</td> <td>MBQ ■ 07-Y0.75-2C10</td> </tr> <tr> <td>13-75</td> <td>136-68</td> <td>13io</td> <td>MBQ ■ 07-Y0.75-2C13</td> </tr> <tr> <td>10-60</td> <td>168-84</td> <td>16io</td> <td>MBQ ■ 07-Y0.75-2C16</td> </tr> </table>				170-1000	12-6	io=8.5-1.45	MBQ ■ 07-Y0.75	68-400	29-15	2.5io	MBQ ■ 07-Y0.75-C2.5	52-300	38-19	3.3io	MBQ ■ 07-Y0.75-C3.3	34-200	60-30	5io	MBQ ■ 07-Y0.75-C5	23-125	80-40	7.5io	MBQ ■ 07-Y0.75-2C7.5	17-90	108-54	10io	MBQ ■ 07-Y0.75-2C10	13-75	136-68	13io	MBQ ■ 07-Y0.75-2C13	10-60	168-84	16io	MBQ ■ 07-Y0.75-2C16	<p style="writing-mode: vertical-rl; text-orientation: upright;">■ 有 L、F 两种法兰安装形式，L 为垂直安装，F 为水平安装</p> <p style="writing-mode: vertical-rl; text-orientation: upright;">外形及安装尺寸分别参见 MB 18 21 页</p>
	170-1000	12-6	io=8.5-1.45	MBQ ■ 07-Y0.75																																	
	68-400	29-15	2.5io	MBQ ■ 07-Y0.75-C2.5																																	
52-300	38-19	3.3io	MBQ ■ 07-Y0.75-C3.3																																		
34-200	60-30	5io	MBQ ■ 07-Y0.75-C5																																		
23-125	80-40	7.5io	MBQ ■ 07-Y0.75-2C7.5																																		
17-90	108-54	10io	MBQ ■ 07-Y0.75-2C10																																		
13-75	136-68	13io	MBQ ■ 07-Y0.75-2C13																																		
10-60	168-84	16io	MBQ ■ 07-Y0.75-2C16																																		
<h3>1.1kW</h3> <table border="1"> <tr> <td>170-1000</td> <td>18-9</td> <td>io=8.5-1.45</td> <td>MBQ ■ 15-Y1.1</td> </tr> <tr> <td>68-400</td> <td>39-20</td> <td>2.5io</td> <td>MBQ ■ 15-Y1.1-C2.5</td> </tr> <tr> <td>52-300</td> <td>56-28</td> <td>3.3io</td> <td>MBQ ■ 15-Y1.1-C3.3</td> </tr> <tr> <td>34-200</td> <td>88-43</td> <td>5io</td> <td>MBQ ■ 15-Y1.1-C5</td> </tr> <tr> <td>23-125</td> <td>120-60</td> <td>7.5io</td> <td>MBQ ■ 15-Y1.1-2C7.5</td> </tr> <tr> <td>17-75</td> <td>160-80</td> <td>10io</td> <td>MBQ ■ 15-Y1.1-2C10</td> </tr> <tr> <td>13-75</td> <td>200-100</td> <td>13io</td> <td>MBQ ■ 15-Y1.1-2C13</td> </tr> <tr> <td>10-60</td> <td>250-125</td> <td>16io</td> <td>MBQ ■ 15-Y1.1-2C16</td> </tr> </table>				170-1000	18-9	io=8.5-1.45	MBQ ■ 15-Y1.1	68-400	39-20	2.5io	MBQ ■ 15-Y1.1-C2.5	52-300	56-28	3.3io	MBQ ■ 15-Y1.1-C3.3	34-200	88-43	5io	MBQ ■ 15-Y1.1-C5	23-125	120-60	7.5io	MBQ ■ 15-Y1.1-2C7.5	17-75	160-80	10io	MBQ ■ 15-Y1.1-2C10	13-75	200-100	13io	MBQ ■ 15-Y1.1-2C13	10-60	250-125	16io	MBQ ■ 15-Y1.1-2C16	<p style="writing-mode: vertical-rl; text-orientation: upright;">For overview and mounting dimensions, see pages MB 18 21</p> <p style="writing-mode: vertical-rl; text-orientation: upright;">Top flange-mounted positions: L-vertical, F-horizontal</p>	
170-1000	18-9	io=8.5-1.45	MBQ ■ 15-Y1.1																																		
68-400	39-20	2.5io	MBQ ■ 15-Y1.1-C2.5																																		
52-300	56-28	3.3io	MBQ ■ 15-Y1.1-C3.3																																		
34-200	88-43	5io	MBQ ■ 15-Y1.1-C5																																		
23-125	120-60	7.5io	MBQ ■ 15-Y1.1-2C7.5																																		
17-75	160-80	10io	MBQ ■ 15-Y1.1-2C10																																		
13-75	200-100	13io	MBQ ■ 15-Y1.1-2C13																																		
10-60	250-125	16io	MBQ ■ 15-Y1.1-2C16																																		
<h3>1.5kW</h3> <table border="1"> <tr> <td>170-1000</td> <td>24-12</td> <td>io=8.5-1.45</td> <td>MBQ ■ 15-Y1.5</td> </tr> <tr> <td>68-400</td> <td>59-29</td> <td>2.5io</td> <td>MBQ ■ 15-Y1.5-C2.5</td> </tr> <tr> <td>52-300</td> <td>78-36</td> <td>3.3io</td> <td>MBQ ■ 15-Y1.5-C3.3</td> </tr> <tr> <td>34-200</td> <td>118-59</td> <td>5io</td> <td>MBQ ■ 15-Y1.5-C5</td> </tr> <tr> <td>23-125</td> <td>160-80</td> <td>7.5io</td> <td>MBQ ■ 15-Y1.5-2C7.5</td> </tr> <tr> <td>17-75</td> <td>218-108</td> <td>10io</td> <td>MBQ ■ 15-Y1.5-2C10</td> </tr> <tr> <td>13-75</td> <td>270-135</td> <td>13io</td> <td>MBQ ■ 15-Y1.5-2C13</td> </tr> <tr> <td>10-60</td> <td>334-167</td> <td>16io</td> <td>MBQ ■ 15-Y1.5-2C16</td> </tr> </table>				170-1000	24-12	io=8.5-1.45	MBQ ■ 15-Y1.5	68-400	59-29	2.5io	MBQ ■ 15-Y1.5-C2.5	52-300	78-36	3.3io	MBQ ■ 15-Y1.5-C3.3	34-200	118-59	5io	MBQ ■ 15-Y1.5-C5	23-125	160-80	7.5io	MBQ ■ 15-Y1.5-2C7.5	17-75	218-108	10io	MBQ ■ 15-Y1.5-2C10	13-75	270-135	13io	MBQ ■ 15-Y1.5-2C13	10-60	334-167	16io	MBQ ■ 15-Y1.5-2C16		
170-1000	24-12	io=8.5-1.45	MBQ ■ 15-Y1.5																																		
68-400	59-29	2.5io	MBQ ■ 15-Y1.5-C2.5																																		
52-300	78-36	3.3io	MBQ ■ 15-Y1.5-C3.3																																		
34-200	118-59	5io	MBQ ■ 15-Y1.5-C5																																		
23-125	160-80	7.5io	MBQ ■ 15-Y1.5-2C7.5																																		
17-75	218-108	10io	MBQ ■ 15-Y1.5-2C10																																		
13-75	270-135	13io	MBQ ■ 15-Y1.5-2C13																																		
10-60	334-167	16io	MBQ ■ 15-Y1.5-2C16																																		



MB
14

MBW、MBW-Y

型号 Type	中心高 Centre -height H ₀	安装尺寸 Mounting dimension					输出轴 Output shaft				输入轴 Input shaft				外形尺寸 Overview dimension							
		A ₀	A ₁	B ₀	B ₁	d ₀	d	b	c	l	d ₁	b ₁	c ₁	l ₁	H ₂	H	A	B	V	W	L	L ₁
MB02	75	105	18	110	25	9	14js6	5	16	30	14js6	5	16	25	160	210	125	146	69	100	195	130
MB04A	80	105	26	120	32	10	14js6	5	16	30	14js6	5	16	30	169	219	135	150	82	111	221	145
MB07A	106	125	33.5	160	40	12	20js6	6	22.5	40	19js6	6	21.5	30	213	263	150	190	90	128	243	182
MB15	125	140	50	180	50	12	25js6	8	28	50	24js6	8	27	40	246	296	165	230	107	153	314	223
MB22	150	230	25	245	55	14	30js6	8	33	60	24js6	8	27	50	300	355	270	300	135	157	387	268
MB40	150	230	25	245	55	14	30js6	8	33	60	24js6	8	27	50	300	350	270	300	135	157	387	268
MB55	200	250	33	315	70	18	35k6	10	38	70	32k6	10	35	60	392	474	290	365	189	186	425	319
MB75	200	250	33	315	70	18	35k6	10	38	70	32k6	10	35	60	392	474	290	365	189	186	425	319

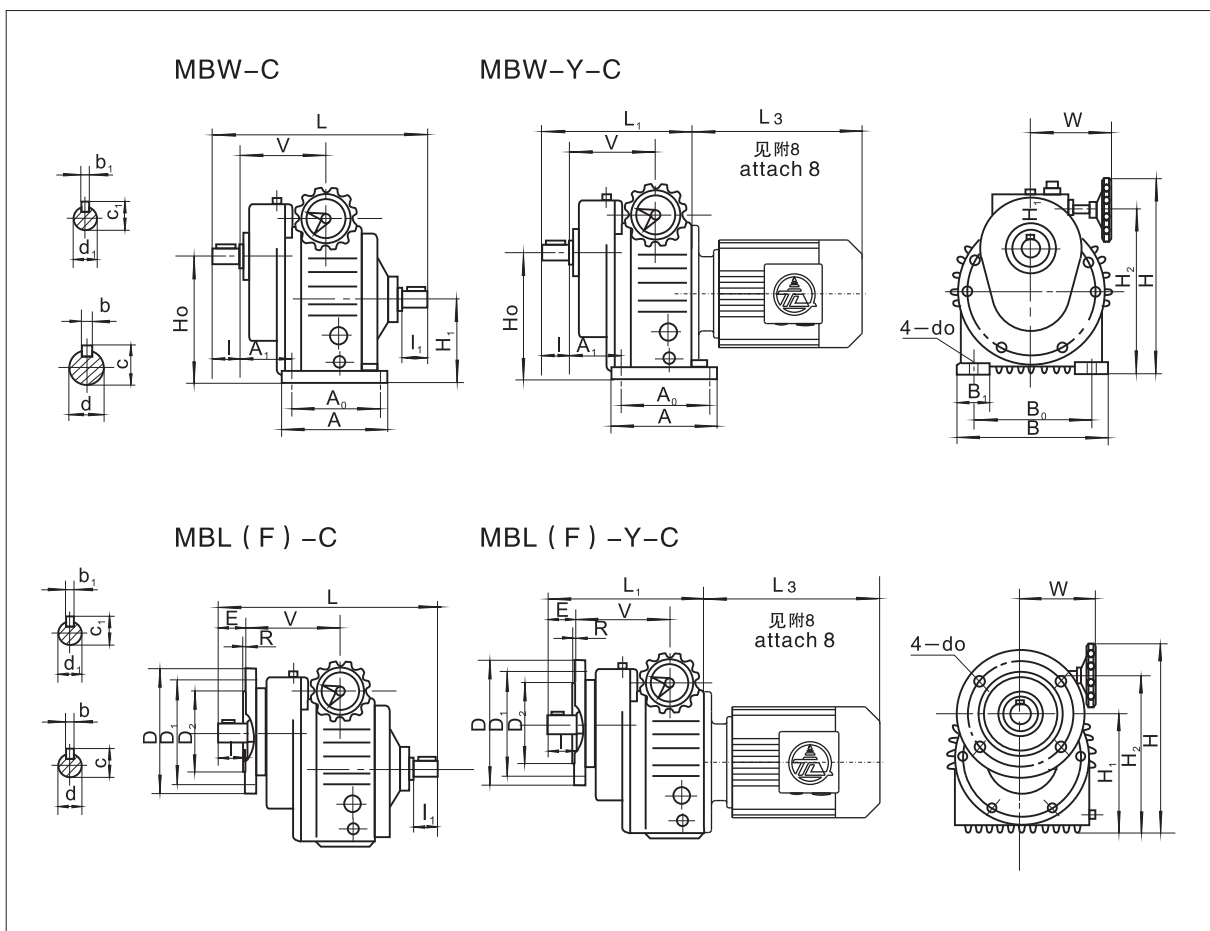
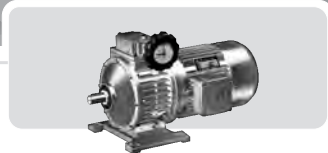
MBL(F)、MBL(F)-Y

型号 Type	安装尺寸 Mounting dimension					输出轴 Output shaft				输入轴 Input shaft				外形尺寸 Overview dimension						
	D ₁	D ₂	E	R	d ₀	d	b	c	l	d ₁	b ₁	c ₁	l ₁	H ₂	H	V	W	D	L	L ₁
MB02	130	110h9	30	3.5	10	14js6	5	16	30	14js6	5	16	25	154	200	66	100	160	190	127
MB04A	165	130h9	30	3.5	12	14js6	5	16	30	14js6	5	16	30	166	216	80	111	200	217	143
MB07A	165	130h9	40	4	12	20js6	6	22.5	40	19js6	6	21.5	30	208	258	88	128	200	241	182
MB15	215	180h9	50	4	15	25js6	8	28	50	24js6	8	27	40	239	289	107	153	250	312	223
MB22	265	230h9	60	4	15	30js6	8	33	60	24js6	8	27	50	293	343	135	157	300	385	268
MB40	265	230h9	60	4	15	30js6	8	33	60	24js6	8	27	50	293	343	135	157	300	385	268
MB55	300	250h9	70	5	19	35k6	10	38	70	32k6	10	35	60	382	464	198	186	350	424	318
MB75	300	250h9	70	5	19	35k6	10	38	70	32k6	10	35	60	382	464	198	186	350	424	318

注：带“A”表示改进型。

Note: The improved type is indicated by "A".

外形安装尺寸 Mounting Dimension Sheets-overview



MB
15

MBW-C、MBW-Y-C

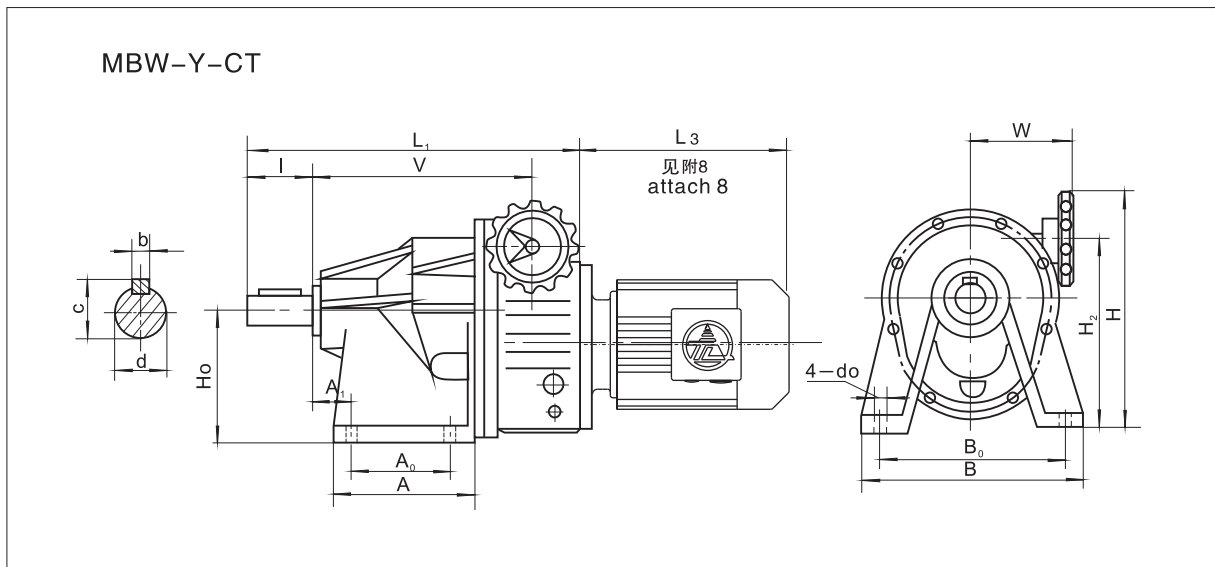
型号 Type	中心高 Centre-height H ₀	安装尺寸 Mounting dimension					输出轴 Output shaft				输入轴 Input shaft				外形尺寸 Overview dimension									
		A ₀	A ₁	B ₀	B ₁	d ₀	d	b	c	l	d ₁	b ₁	c ₁	l ₁	H ₁	H ₂	H	A	B	V	W	L	L ₁	
MB02-C	120	105	57	110	25	9	20js6	6	22.5	30	14js6	5	16	25	75	160	210	125	140	108	100	230	169	
MB04A-C	125	105	59.5	120	32	10	20js6	6	22.5	30	14js6	5	16	30	80	169	219	135	150	112	111	248	176	
MB07A-C	166	125	67.5	160	40	12	28js6	8	31	35	19js6	6	21.5	30	106	213	263	150	190	122	128	269	211	
MB15-C	190	140	78	180	50	12	30js6	8	33	45	24js6	8	27	40	125	246	296	165	230	135	153	334	246	
MB22-C	230	230	63	245	55	14	40k6	12	43	60	24js6	8	27	50	150	300	350	270	300	174	157	423	306	
MB40-C	230	230	63	245	55	14	40k6	12	43	60	24js6	8	27	50	150	300	350	270	300	174	157	423	306	
MB55-C	320	250	157	315	70	18	50k6	14	53.5	82	32k6	10	35	60	200	392	474	290	365	313	186	562	445	
MB75-C	320	250	157	315	70	18	50k6	14	53.5	82	32k6	10	35	60	200	392	474	290	365	313	186	562	445	

MBL(F)-C、MBL(F)-Y-C

型号 Type	安装尺寸 Mounting dimension					输出轴 Output shaft				输入轴 Input shaft				外形尺寸 Overview dimension									
	D ₁	D ₂	E	R	d ₀	d	b	c	l	d ₁	b ₁	c ₁	l ₁	H ₁	H ₂	H	D	V	W	L	L ₁		
MB02-C	130	110	30	3.5	10	20js6	6	22.5	30	14js6	5	16	25	120	154	204	160	134	100	260	195		
MB04A-C	130	110	30	3.5	10	20js6	6	22.5	30	14js6	5	16	30	125	169	219	160	135	111	277	201		
MB07A-C	165	130	35	4	12	28js6	8	31	35	19js6	6	21.5	30	166	208	258	200	151	128	305	240		
MB15-C	165	130	45	4	12	30js6	8	33	45	24js6	8	27	40	166	208	258	200	153	128	322	252		
MB22-C	215	180	60	4	15	40k6	12	43	60	24js6	8	27	50	230	293	340	250	208	157	460	340		
MB40-C	215	180	60	4	15	40k6	12	43	60	24js6	8	27	50	230	293	340	250	208	157	460	340		
MB55-C	265	230	82	5	15	50k6	14	53.5	82	32k6	10	35	60	320	382	460	300	320	186	570	462		
MB75-C	265	230	82	5	15	50k6	14	53.5	82	32k6	10	35	60	320	382	460	300	320	186	570	462		

注：带“A”表示改进型。

Note: The improved type is indicated by "A".

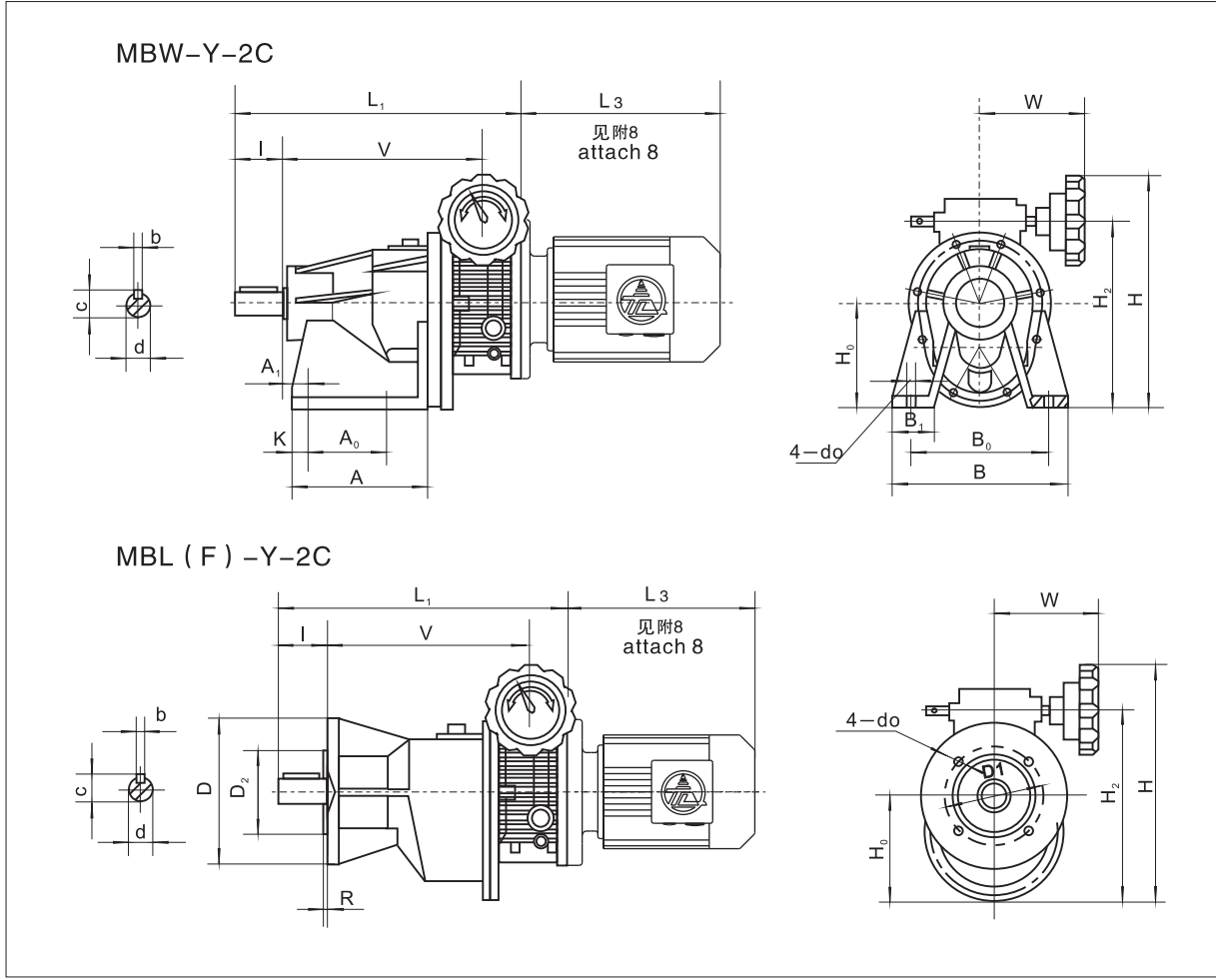
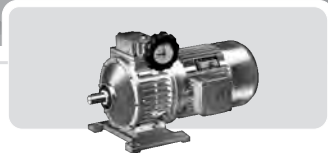


MBW-Y-CT陶瓷机械专用型

MBW-Y-CT Type specially used for ceramic machinery

型号 Type	中心高 Centre -height H ₀	安装尺寸 Mounting dimension				输出轴 Output shaft				外形尺寸 Overview dimension						
		A ₀	A ₁	B ₀	d ₀	d	b	c	l	H	H ₂	A	B	V	W	L ₁
MB04-CT	130	70	6	150	12	24js6	8	27	50	224	174	112	190	151	111	235
MB07-CT	166	70	3	165	12	28js6	8	31	55	323	273	131	210	169	128	250

外形安装尺寸 Mounting Dimension Sheets-overview



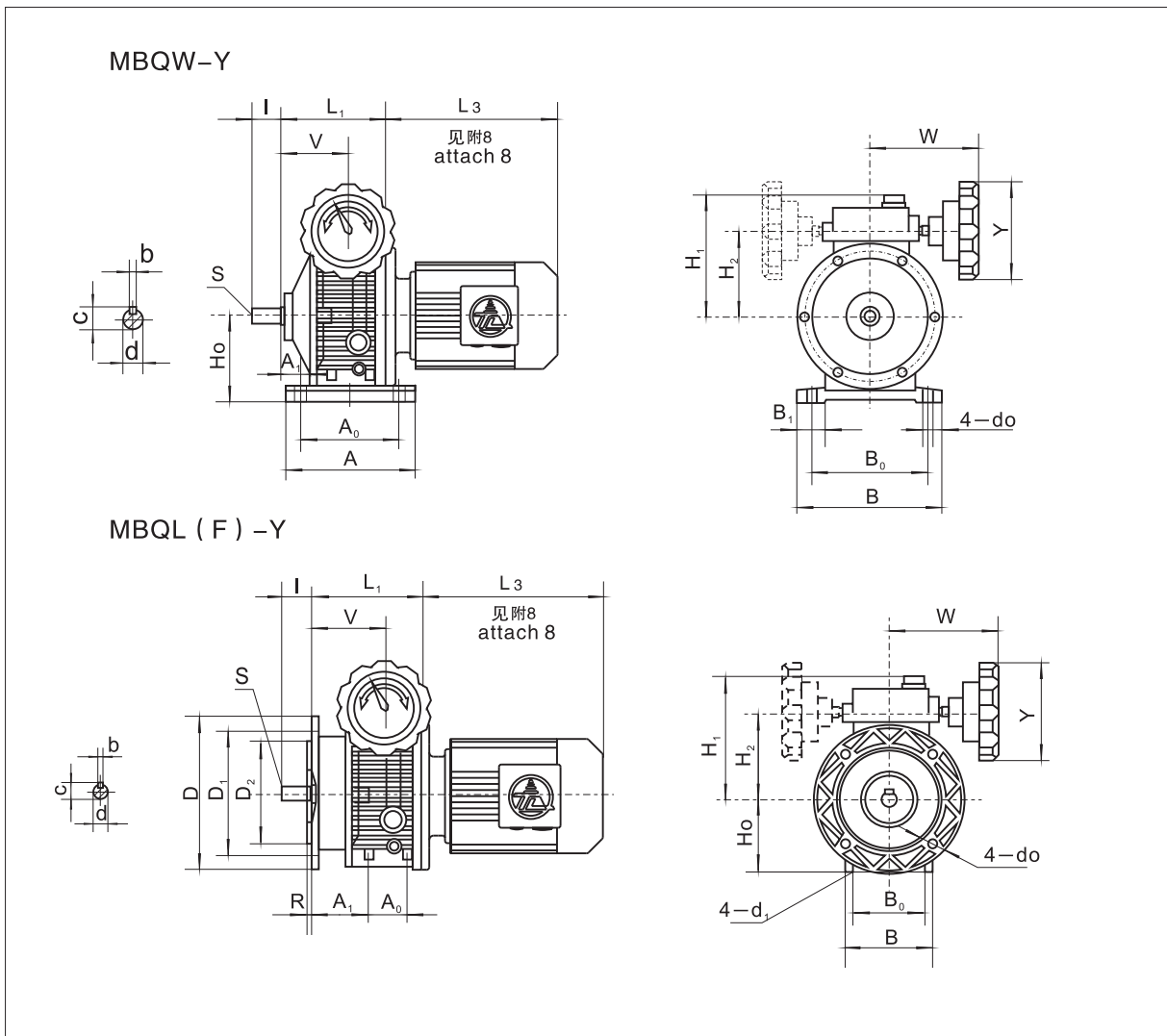
MB
17

MBW-Y-2C

型号 Type	中心高 Centre -height H ₀	安装尺寸 Mounting dimension						输出轴 Output shaft				外形尺寸 Overview dimension						
		A ₀	A ₁	K	B ₀	B ₁	d ₀	d	b	c	l	H ₂	H	A	B	V	W	L ₁
MB04-2C	116	85	25	18	150	45	10	28js6	8	31	55	205	255	140	190	215	111	304
MB07-2C	135	90	35	21	185	51	12	32js6	10	35	65	242	292	150	230	219	128	338
MB15-2C	170	130	15	25	200	60	14	38k6	10	41	70	277	327	200	250	264	128	388
MB22-2C	235	180	43	34	250	76	18	55m6	16	59	110	385	435	271	320	375	157	557
MB40-2C	235	180	43	34	250	76	18	55m6	16	59	110	385	435	271	320	375	157	557
MB55-2C	280	250	48	38	300	98	21	70m6	20	74.5	140	472	554	328	380	392	186	592
MB75-2C	280	250	48	38	300	98	21	70m6	20	74.5	140	472	554	328	380	392	186	592

MBL(F)-Y-2C

型号 Type	安装尺寸 Mounting dimension				输出轴 Output shaft				外形尺寸 Overview dimension						
	D ₁	D ₂	R	d ₀	d	b	c	l	H ₂	H	H ₀	D	V	W	L ₁
MB04-2C	130	110	4	10	28js6	8	31	55	203	253	113	160	221	111	315
MB07-2C	165	130	4	12	32js6	10	35	65	239	289	132	200	220	128	338
MB15-2C	215	180	5	14	38k6	10	41	70	274	324	167	250	271	128	394
MB22-2C	265	230	5	14	55m6	16	59	110	382	432	232	300	375	157	557
MB40-2C	265	230	5	14	55m6	16	59	110	382	432	232	300	375	157	557
MB55-2C	300	250	5	18	70m6	20	74.5	140	458	508	266	350	392	186	592
MB75-2C	300	250	5	18	70m6	20	74.5	140	458	508	266	350	392	186	592



**MB
18**

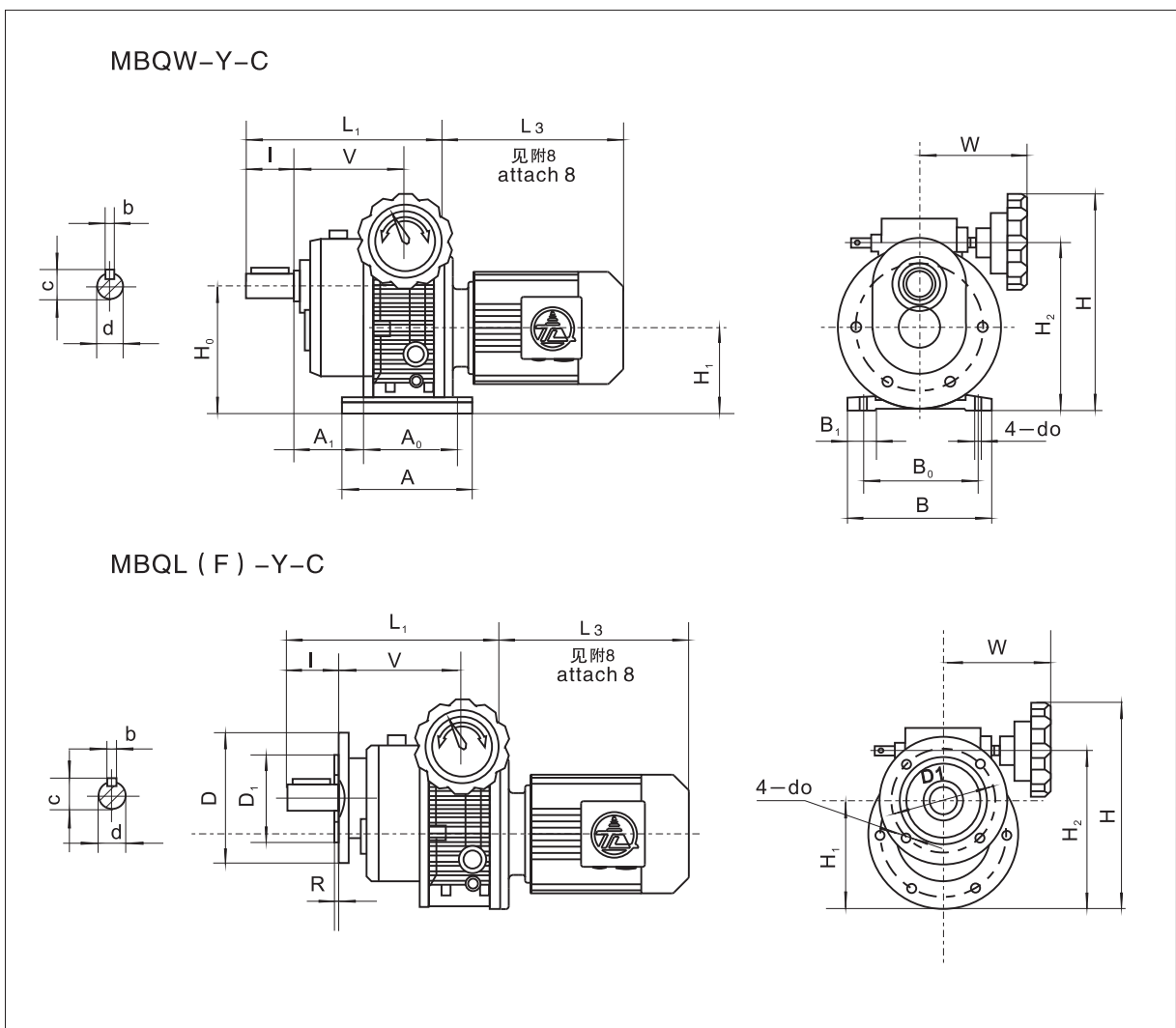
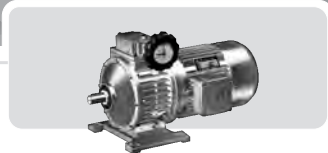
MBQW-Y

型号 Type	中心高 Centre -height H ₀	安装尺寸 Mounting dimension						输出轴 Output shaft				外形尺寸 Overview dimension							
		A ₀	A ₁	B ₀	B ₁	S	d ₀	d	b	c	l	H ₁	H ₂	A	B	V	W	Y	L ₁
MBQ02	70	105	18	110	22	-	9	11js6	4	12.5	23	110	77	120	145	64	111	100	113
MBQ04	90	105	20	120	30	M6	10	14js6	5	16	30	122	90	135	150	70	111	100	109
MBQ07	106	125	23.5	160	28	M8	10	20js6	6	22.5	40	140	107	150	190	86	128	100	140
MBQ15	106	125	23.5	160	28	M8	10	25js6	8	28	50	140	107	150	190	86	128	100	140

MBQL (F) -Y

型号 Type	中心高 Centre -height H ₀	安装尺寸 Mounting dimension								输出轴 Output shaft				外形尺寸 Overview dimension								
		A ₀	A ₁	B ₀	R	S	d ₀	d ₁	D ₁	D ₂	d	b	c	l	H ₁	H ₂	D	B	V	W	Y	L ₁
MBQ02	70	50	46	60	3.5	-	9	M6	115	95	11js6	4	12.5	23	110	77	140	72	64	111	100	113
MBQ04	77	40	53	77	4	M6	9	M8	130	110	14js6	5	16	30	122	90	160	92	70	111	100	109
MBQ07	93	58	57	84	4	M8	11	M8	165	130	20js6	6	22.5	40	140	107	200	98	86	128	100	140
MBQ15	93	58	57	84	4	M8	11	M8	165	130	25js6	8	28	50	140	107	200	98	86	128	100	140

外形安装尺寸 Mounting Dimension Sheets-overview



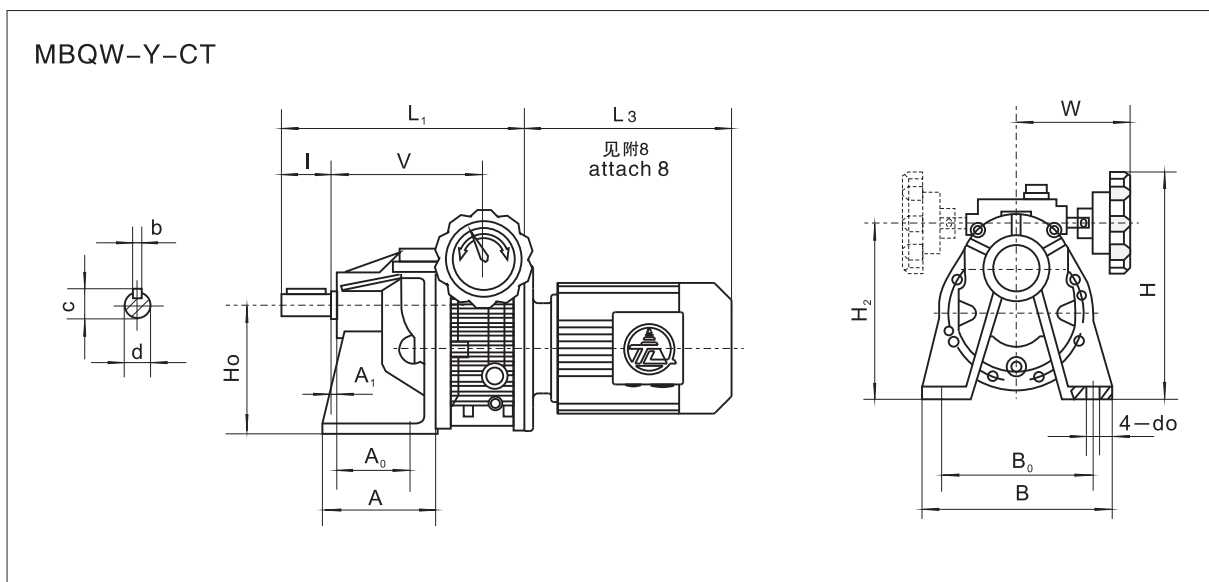
MB
19

MBQW-Y-C

型号 Type	中心高 Centre -height H ₀	安装尺寸 Mounting dimension					输出轴 Output shaft				外形尺寸 Overview dimension							
		A ₀	A ₁	B ₀	B ₁	d ₀	d	b	c	l	H ₁	H ₂	H	A	B	V	W	L ₁
MBQ04-C	130	105	64	120	30	10	20js6	6	22.5	30	90	180	230	135	150	114	111	183
MBQ07-C	166	125	65.5	160	28	10	28js6	8	31	35	106	213	263	150	190	128	128	217
MBQ15-C	166	125	65.5	160	28	10	30js6	8	33	45	106	213	263	150	190	128	128	217

MBQL(F)-Y-C

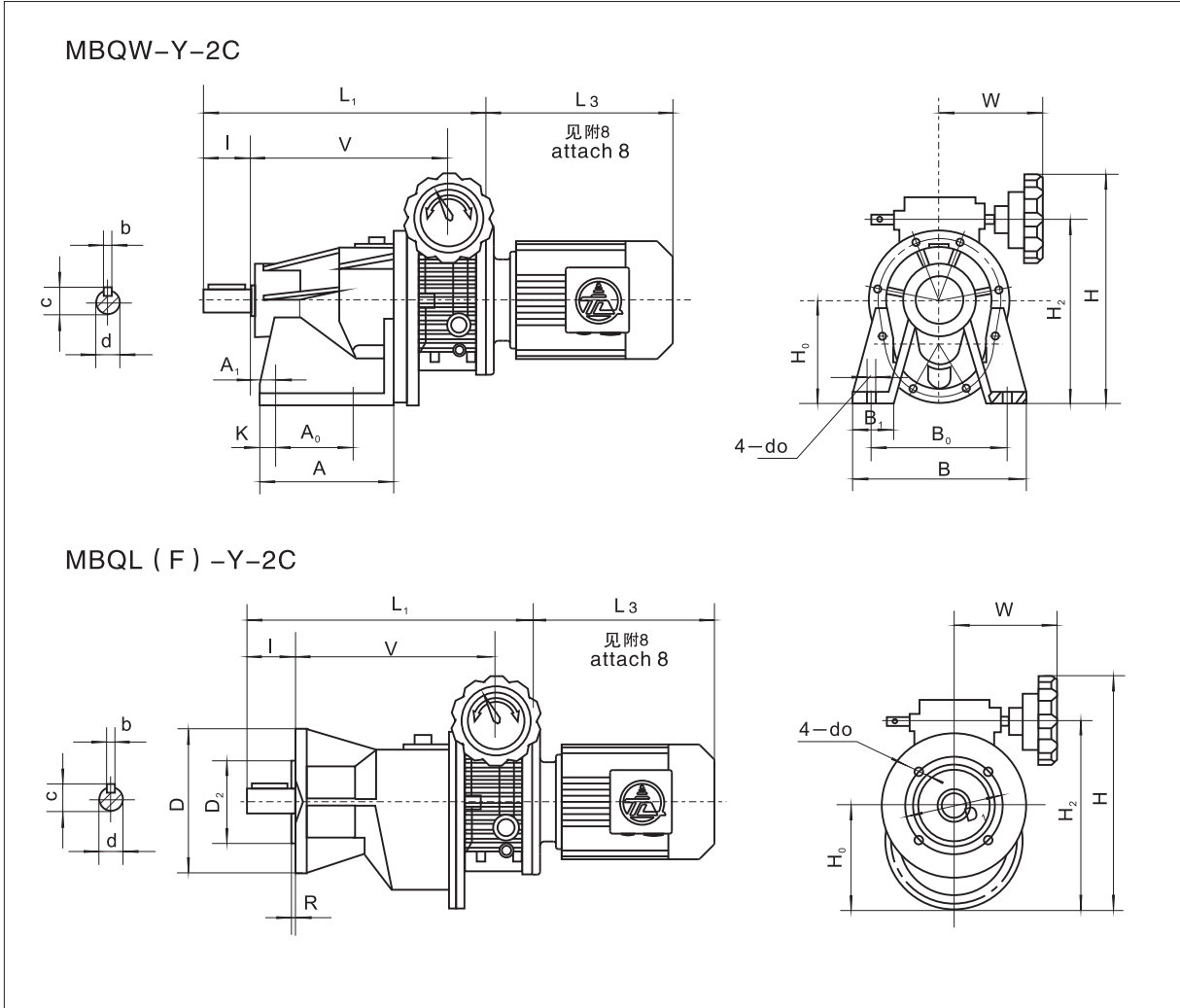
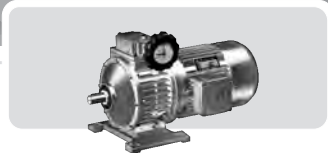
型号 Type	安装尺寸 Mounting dimension					输出轴 Output shaft				外形尺寸 Overview dimension						
	D ₁	D ₂	E	R	d ₀	d	b	c	l	H ₁	H ₂	H	D	V	W	L ₁
MBQ04-C	130	110	30	3.5	10	20js6	6	22.5	30	122	167	217	160	114	111	183
MBQ07-C	166	130	35	3.5	12	28js6	8	31	35	153	200	250	200	128	128	217
MBQ15-C	166	130	45	3.5	12	30js6	8	33	45	153	200	250	200	128	128	217



MBQW-Y-CT

型号 Type	中心高 Centre -height H_0	安装尺寸 Mounting dimension				输出轴 Output shaft				外形尺寸 Overview dimension						
		A_0	A_1	B_0	d_0	d	b	c	E	H	H_2	A	B	V	W	L_1
MBQ04-CT	130	70	6	150	12	24js6	8	27	50	258	208	112	190	152	110	241
MBQ07-CT	166	70	3	165	12	28js6	8	31	55	325	275	131	210	226	128	279
MBQ15-CT	166	70	3	165	12	30js6	8	33	60	325	275	131	210	226	128	284

外形安装尺寸 Mounting Dimension Sheets-overview



MBQW-Y-2C

型号 Type	中心高 Centre -height H ₀	安装尺寸 Mounting dimension						输出轴 Output shaft				外形尺寸 Overview dimension						
		A ₀	A ₁	K	B ₀	B ₁	d ₀	d	b	c	l	H ₂	H	A	B	V	W	L ₁
MBQ04-2C	116	85	25	18	150	45	10	28js6	8	31	55	206	256	150	190	221	111	315
MBQ07-2C	135	90	35	21	185	51	12	32js6	10	35	65	242	292	150	230	220	128	338
MBQ15-2C	170	130	15	25	200	60	14	38k6	10	41	70	277	327	200	250	271	128	394

MBQL(F)-Y-2C

型号 Type	安装尺寸 Mounting dimension				输出轴 Output shaft				外形尺寸 Overview dimension						
	D ₁	D ₂	R	d ₀	d	b	c	l	H ₂	H	H ₀	D	V	W	L ₁
MBQ04-2C	130	110	4	10	28js6	8	31	55	203	253	113	160	221	111	315
MBQ07-2C	165	130	4	12	32js6	10	35	65	239	289	132	200	220	128	338
MBQ15-2C	215	180	5	14	38k6	10	41	70	274	324	167	250	271	128	394